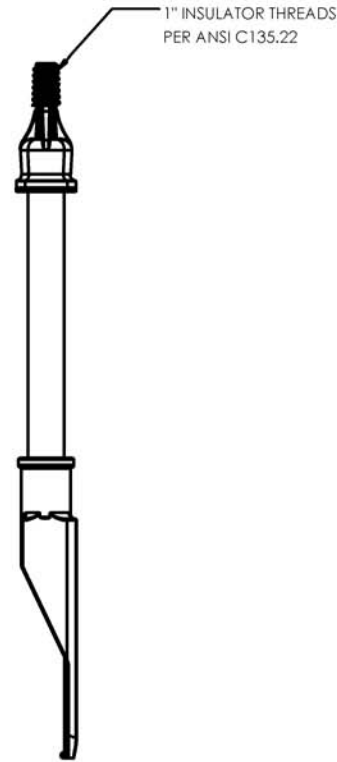
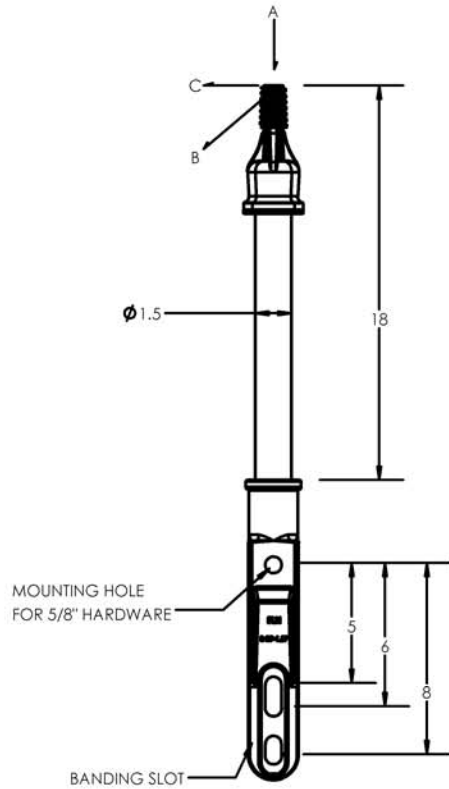


PAPER SIZE		DRAWING NUMBER	
A		FLHRP-1-18-S1	
ISS	REVISED BY:	REVISION DATE	ECO #

NOTES:

1. CASTINGS: DUCTILE IRON, GRADE 654512
HOT DIP GALV PER ASTM A123
2. ROD - ELECTRICAL GRADE FIBERGLASS W/ VEIL COATING
3. THREADS - MOLDED NYLON
4. DIMENSIONS IN INCHES



CATALOG NO.	VERTICAL (A)	LONGITUDINAL (B)	TRANSVERSE (C)
FLHRP-1-18-S1	2500	1400	1400



WWW.FLHINC.NET

DRAWING NUMBER:	
FLHRP-1-18-S1	
SHEET NAME:	1 OF 1
Sheet1	
DRAWING DESCRIPTION:	
FIBERGLASS RIDGE PIN Ø1.5 ROD w/ 1" THREAD	
DRAWN BY:	DESIGN DATE:
MW	04/11/2022

This drawing contains confidential information that is the property of FLH, Inc. (Fiberglass Line Hardware). Use of FLH's confidential information without FLH's express written consent is strictly prohibited and may expose you to legal liability. If you believe that you received this material in error, please destroy it or return it to "FLH, Inc., 105 Rainbow Industrial Drive, Rainbow City, AL 35906."